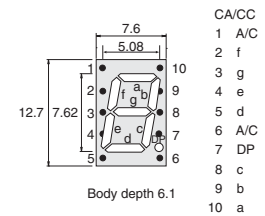


## 7 SEGMENT - Single Digit

All displays have white-diffused segments and a grey face. Other sizes and segment/face colours, together with overflow, alphanumeric and low current displays, available to special order.

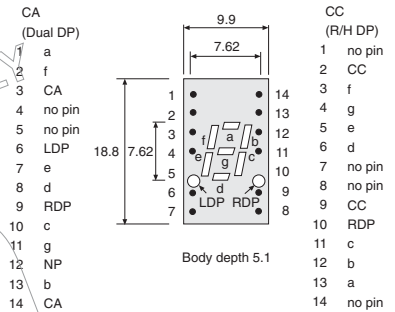
Description	Emitted Colour	Brightness	Typ. Lum. Intensity per segment (I <sub>F</sub> = 10mA) $\mu$ cd	Manf. Part No. & Anglia Order Code
<b>7.62mm (0.3in) Display - compact body</b>				
Common Anode	Red	Extra Bright	3500	<b>TOS3104BE</b>
Common Cathode	Red	Extra Bright	3500	<b>TOS3104AE</b>
Common Anode	Green	Extra Bright	3000	<b>TOS3104BG</b>
Common Cathode	Green	Extra Bright	3000	<b>TOS3104AG</b>

Dimensions (mm) & Pin Connections



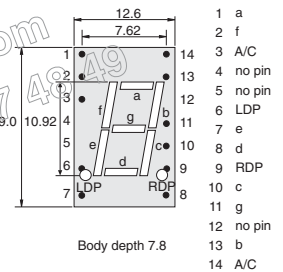
### 7.62mm (0.3in) Display

Common Anode	Red	Extra Bright	3500	<b>TOS3103FE</b>
Common Cathode	Red	Extra Bright	3500	<b>TOS3103CE</b>
Common Anode	Green	Extra Bright	4000	<b>TOS3103FG</b>
Common Cathode	Green	Extra Bright	4000	<b>TOS3103CG</b>



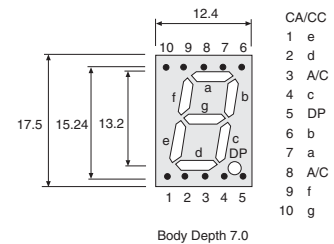
### 10.9mm (0.43in) Display

Common Anode	Red	Extra Bright	3500	<b>TOS4131BE</b>
Common Cathode	Red	Extra Bright	3500	<b>TOS4131AE</b>
Common Anode	Green	Extra Bright	4000	<b>TOS4131BG</b>
Common Cathode	Green	Extra Bright	4000	<b>TOS4131AG</b>



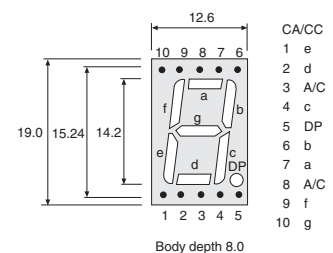
### 13.2mm (0.52in) Display

Common Anode	Red	Extra Bright	3500	<b>TOS5121BE</b>
Common Anode	Red	Super Bright	17500	<b>TOS5121BS</b>



### 14.2mm (0.56in) Display

Common Anode	Red	Extra Bright	3500	<b>TOS5161BE</b>
Common Cathode	Red	Extra Bright	3500	<b>TOS5161AE</b>
Common Anode	Green	Extra Bright	4000	<b>TOS5161BG</b>
Common Cathode	Green	Extra Bright	4000	<b>TOS5161AG</b>



7 Segment LED Displays continued overleaf > > >

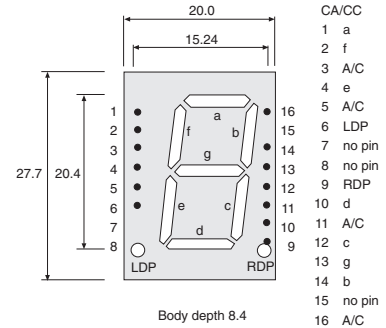
**7 SEGMENT - Single Digit** *continued*

Description	Emitted Colour	Brightness	Typ. Lum. Intensity per segment (I <sub>F</sub> = 10mA) µcd
<b>20mm (0.8in) Display</b>			
Common Anode	Red	Extra Bright	3500
Common Cathode	Red	Extra Bright	3500
Common Anode	Green	Extra Bright	4000
Common Cathode	Green	Extra Bright	4000

**Manf. Part No. & anglia Order Code**

**TOS1102BE**  
**TOS1102AE**  
**TOS1102BG**  
**TOS1102AG**

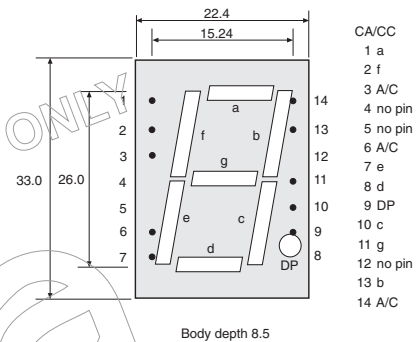
**Dimensions (mm) & Pin Connections**



**26mm (1.0in) Display**

Common Anode	Red	Extra Bright	3500
Common Cathode	Red	Extra Bright	3500

**TOS1101BE**  
**TOS1101AE**



**7 SEGMENT - Dual Digit**

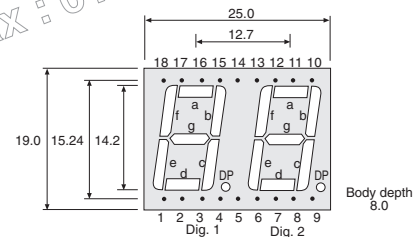
All displays have white-diffused segments and a grey face. Other sizes and segment/face colours, together with overflow, alphanumeric and low current displays, available to special order.

Description	Emitted Colour	Brightness	Typ. Lum. Intensity per segment (I <sub>F</sub> = 10mA) µcd
<b>2 x 14.2mm (0.56in) Display</b>			
Common Anode	Red	Extra Bright	3500
Common Cathode	Red	Extra Bright	3500
Common Anode	Green	Extra Bright	4000

**Manf. Part No. & anglia Order Code**

**TOD5261BE**  
**TOD5261AE**  
**TOD5261BG**

**Dimensions (mm) & Pin Connections**



CA/CC		CA/CC	
1 e	Fig. 1	10 b	Fig. 2
2 d	Fig. 1	11 a	Fig. 2
3 c	Fig. 1	12 f	Fig. 2
4 DP	Fig. 1	13 A/C	Fig. 2
5 e	Fig. 2	14 A/C	Fig. 1
6 d	Fig. 2	15 b	Fig. 1
7 g	Fig. 2	16 a	Fig. 1
8 c	Fig. 2	17 g	Fig. 1
9 DP	Fig. 2	18 f	Fig. 1



**7 SEGMENT DISPLAYS**

- Other display sizes
- Other segment colours
- Other face colours
- Alphanumeric displays
- Overflow digits
- Low current displays

*Available to special order*