

Circuit Diagram

HOW TO ORDER

TS31 □ □ - □ □ -522 □

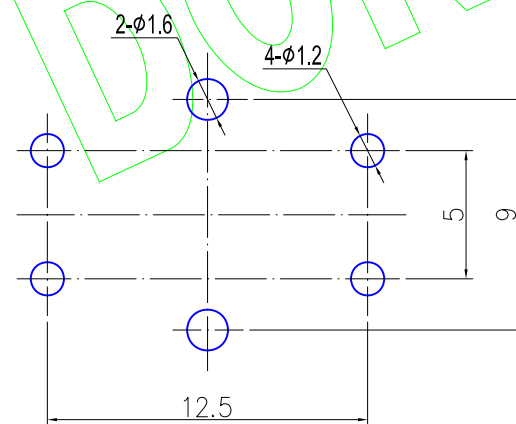
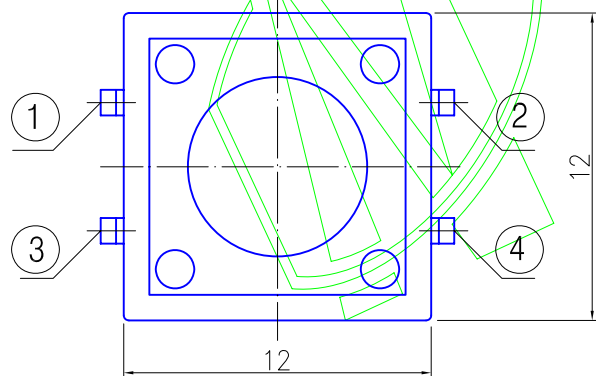
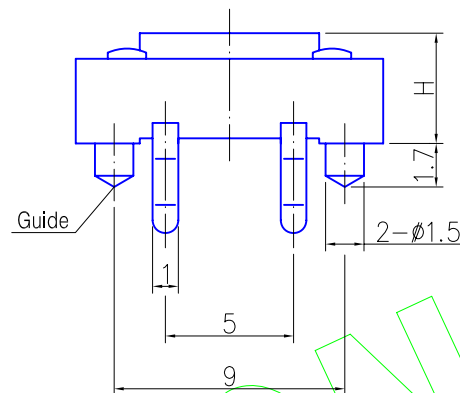
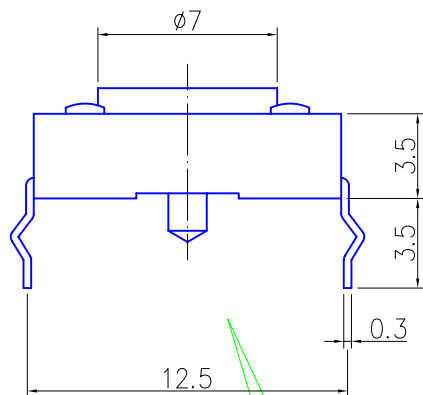
code	Stem Height
043	4.3
050	5.0
053	5.3
055	5.5
060	6.0
070	7.0
075	7.5
080	8.0
085	8.5
095	9.5
100	10.0
120	12.0
125	12.5
130	13.0
150	15.0
170	17.0
200	20.0

code	Guide
W	With Guide
N	Without Guide

code	Operation Force
100	100±30 gf
160	160±60 gf
260	260±80 gf

code	Stem color
B	Black
R	Red
Q	Grey
N	Brown

code	non-RoHS/RoHS
no mark	non-RoHS
7260	RoHS Compliant



SPECIFICATION:

Rating: DC12V 50mA
 Contact Resistance: 100m ohm max
 Insulation Resistance: 100M ohm min
 Operation Force: 100±30gf / 160±60gf / 260±80gf
 Life: 50,000cycles