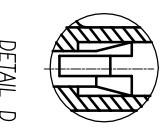
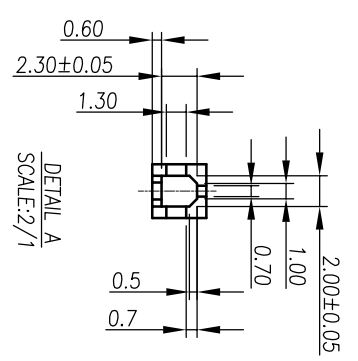
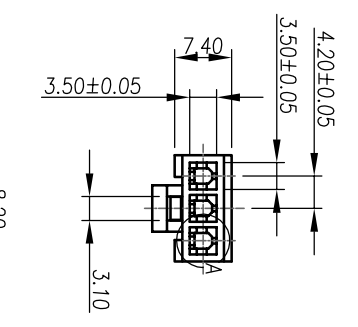
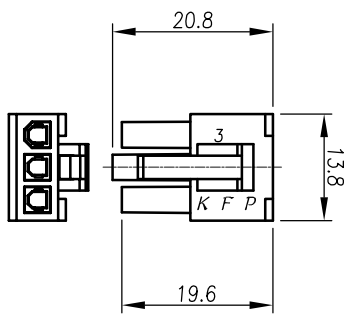
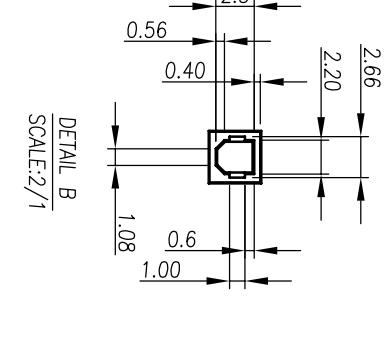
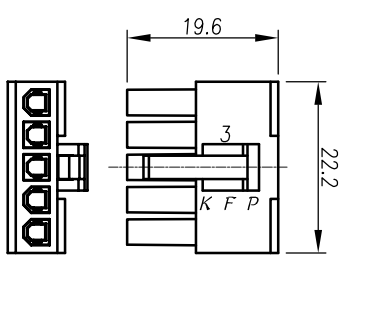
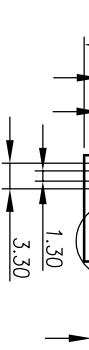
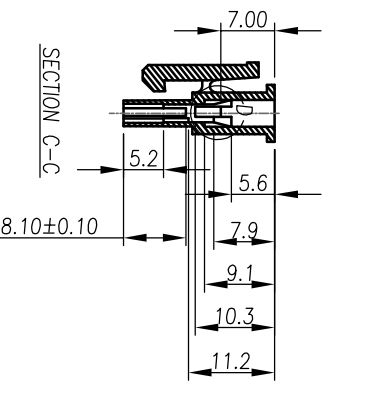
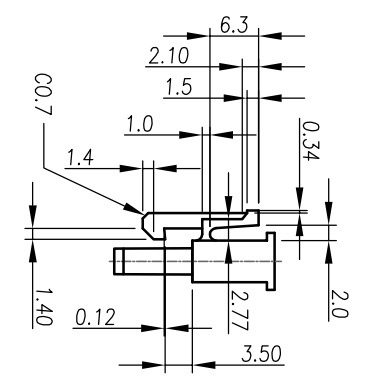
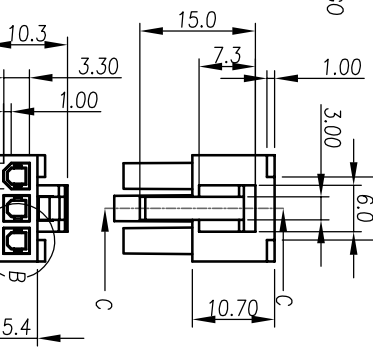
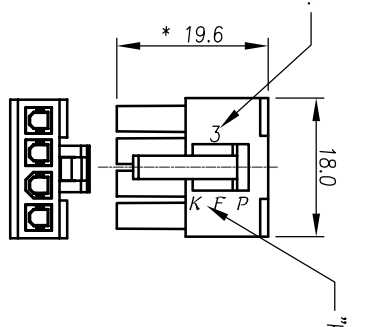


REV	MODIFICATION	DATE	DRAW
B	EN-06-0319	95/03/09	JOAN
C	EN-06-0609	95/06/13	JOAN



DETAIL D  
SCALE:2/1



DETAIL B  
SCALE:2/1

NOTES:

MATERIAL: NYLON66 UL94V-2  
COLOR: WHITE

PART NO:  
P-5016-N2W1 0X 04  
PIN NO.

**KINGONT PRECISION INDUSTRIAL CO., LTD.**

HOUSING FOR MINI CONN.  
SINGLE LOW TYPE  
**CUSTOMER DRAWING**

FILE NO. DWG NO. P-5016-N2W10X04

DIMENSION IN mm [inch]	TOLERANCE UNLESS OTHERWISE SPECIFIED	PROD. SPEC.	PKG. SPEC.
X±0.25	X.±	APPROVE	CHECK
.XX±0.13	X.±	CHECK	DRAW
.XXX±	XX±		

SIZE	PROJ.	SHEET
A4	1:1	1