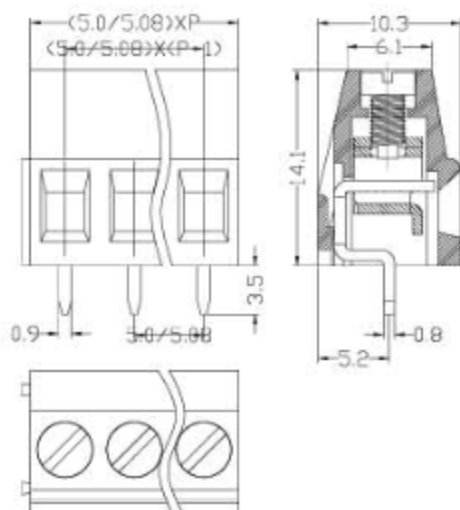


XY128VA-5.0 XY128VA-5.08



Dimensions

| | |
|--------|----------------------------|
| Poles: | 2P,3P-24P |
| Pitch: | 5.0mm(.197"),5.08mm(.200") |

Electrical

| | | |
|-------------------|-------------|--------------------|
| Standard: | UL | IEC |
| Voltage Rating: | 300V | 250V |
| Current Rating: | 15A | 18A |
| Wire range: | 24-12AWG | 2.5mm ² |
| Withstand voltage | AC2000V/Min | |

Mechanical

| | |
|---------------------|-------------------|
| Torque: | 0.4N.m(3.5Lb-In.) |
| Ambient temperature | -40°C~+105°C |
| Strip length | 6-7mm |

Material

| | |
|-------------|-------------------------|
| Housing: | PA66(UL 94V-0) |
| Pin header: | Brass,Tin Plated |
| Wire Cage: | Brass,Nickel Plated |
| Screw: | M2.5,steel,A3 Zn plated |