



101 series

D-SUB DIP STRAIGHT TYPE

Position	A	B	C	D	E
9	17.78	24.99	31.04	19.36	16.33
15	26.15	33.32	39.24	27.64	24.66
25	39.94	47.04	53.04	41.08	38.38
37	56.56	63.50	69.62	57.38	54.84

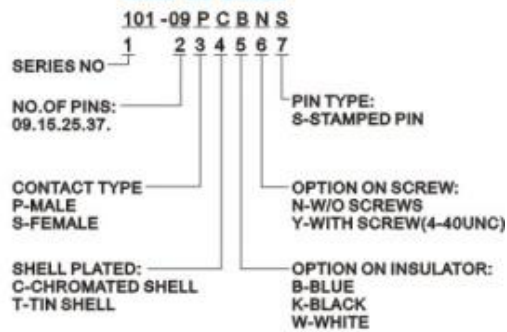
Specifications:

Contact Resistance: 30m Ω max.at DC 100 mA
 Insulator Resistance: 1000M Ω min.at DC 500V
 Current Rating: 5AMP

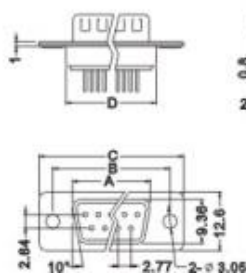
Dielectric Withstanding

Voltage: AC 1000V For 1 minute
 Operating Temperature: -55° C--+105° C
 Contact: Brass or Phosphor Bronze
 Housing: PBT &30% Glass Fiber(UL 94V-0)

How To Order



[MALE]



[FEMALE]

